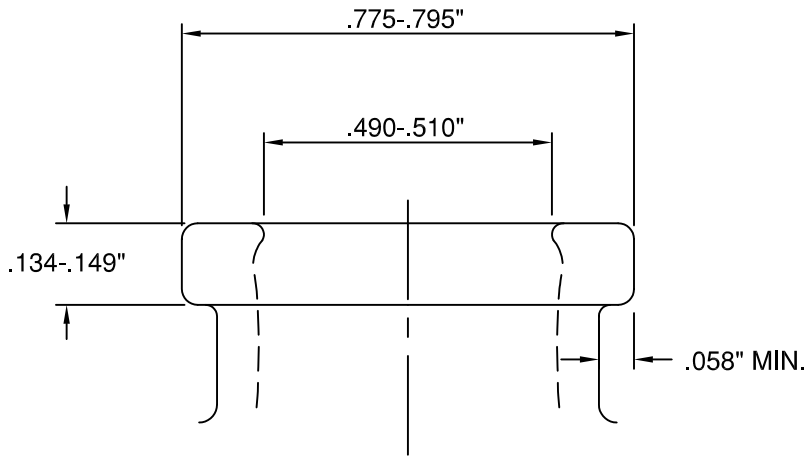


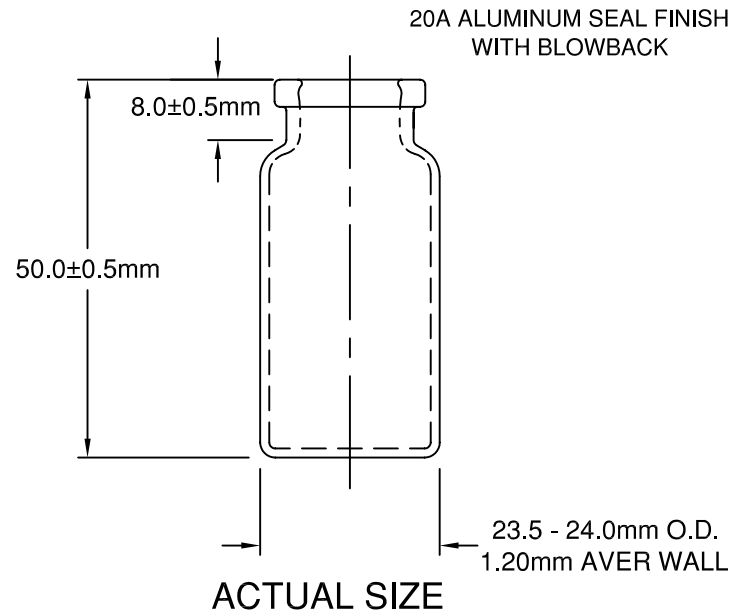
CURRENT TEXT PER		CURRENT TEXT PER		CURRENT TEXT PER		GLASS TYPE I	ARTICLE NO 62121U-10	SIZE 10ml	SHEET		
PROOF DATE	CHANGE AUTHORITY	PROOF DATE	CHANGE AUTHORITY	PROOF DATE	CHANGE AUTHORITY						
							TITLE ALUMINUM SEAL				
							FILLING No.	DRAWN GMM	DATE	REVISIONS	BY
								DATE 12-18-01	A		
							SCALE NOTED	CHECK'D _____	C		
								APPR'D _____	D		
									E		

VOIGT GLOBAL DISTRIBUTION INC
sales@vgdinc.com
 International Telephone: 1.785.393.8509
 International FAX: 1.913.273.0458



20A ALUMINUM SEAL FINISH
WITH BLOWBACK FEATURE
 (3x1)

Schematic Diagram for
 62121U-10 and 62121U2-10 (clear) - also available as an
 open unsealed sterile 10ml vial 62121S-10
 and
 62421U-10 (amber) - or the open 10ml amber sterile
 version 62421S-10



BOTTOM MUST BE FLAT TO CONCAVE
 NO CONVEX BOTTOMS.
 MAX PUSH UP 0.75MM

"BOTTOM CONTOUR DESIGNED FOR LYOPHILLIZATION USE"

